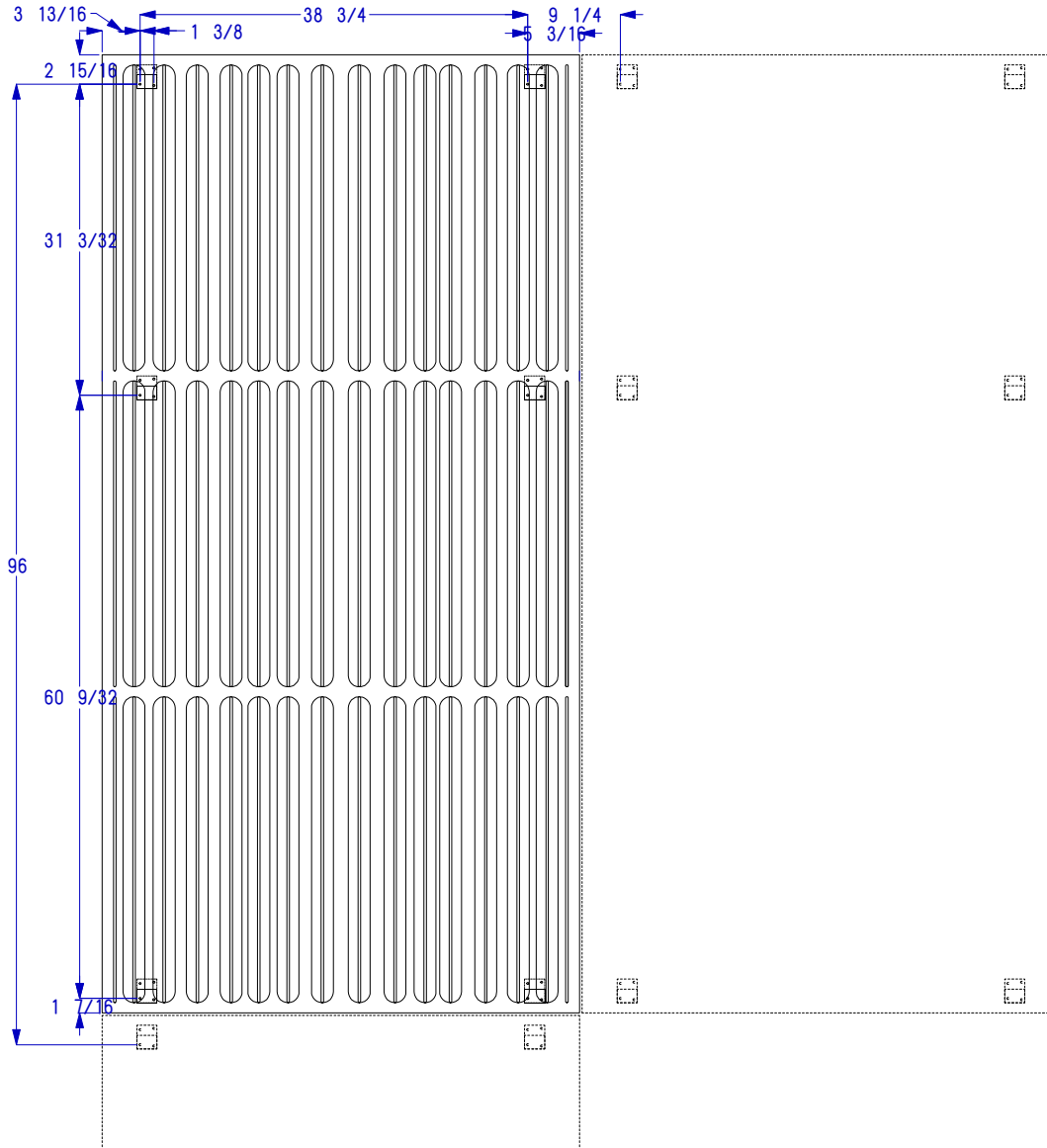


DIFFUSE 4' X 8' MOUNTING TEMPLATE

(FRONT/ELEVATION VIEW)



NOTES:

1. DRAWING APPROPRIATE FOR Z-CLIP MOUNTING ONLY. FOR STAINLESS STEEL STANDOFF OR FOAM PANEL MOUNTING REFER TO THE APPROPRIATE DRAWING.
2. ALL MOUNTING HARDWARE FEATURE PROVISIONS FOR #8 STANDARD FASTENERS.
3. ALWAYS USE ANCHOR APPROPRIATE FOR MOUNTING TO SUBSTRATE.

<small>DIMENSIONS ARE IN INCHES UNLESS OTHERWISE SPECIFIED TOLERANCES: XX=±.010, XXX=±.005 FRACTIONAL = ± 1/64 ANGULAR = 1°</small>	<small>DRAWN</small>	<small>NAME</small>	<small>DATE</small>	<p>2190 S. JASON ST. DENVER, CO 80223 TEL: 720-252-6865</p>
	<small>CHECKED</small>			
	<small>ENG. APPR.</small>			
	<small>MFG. APPR.</small>			
<small>MATERIAL:</small>	<small>COMMENTS:</small>			<small>PART NO.</small>
<small>FINISH:</small>				4' X 8' DIFFUSE
DO NOT SCALE DRAWING	<small>TITLE:</small>			<small>REV.:</small>
	DIFFUSE INSTALL TEMPLATE			A
	<small>SCALE:</small>	<small>WEIGHT:</small>	<small>SHEET 1 OF 2</small>	

THIS DOCUMENT, AND THE PROPERTY CONTAINED HEREIN, IS THE PROPERTY OF LISTEN AUDIO. ANY REPRODUCTION, DISCLOSURE OR USE THEREOF, IS PROHIBITED, EXCEPT AS AUTHORIZED, IN WRITING, BY LISTEN AUDIO SYSTEMS, INC. THE RECIPIENT ACCEPTS THE RESPONSIBILITY FOR MAINTAINING THE CONFIDENTIALITY OF THE CONTENTS OF THIS DOCUMENT.

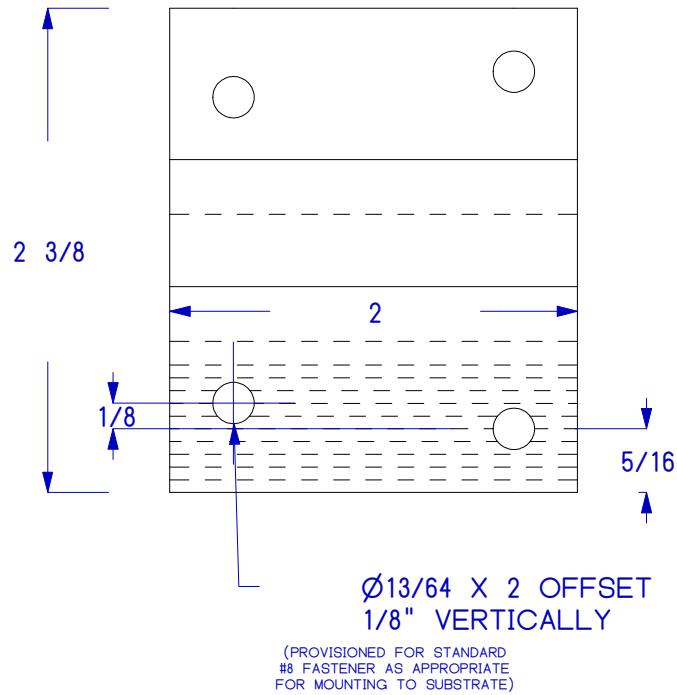
DIFFUSE 4' X 8' MOUNTING TEMPLATE

DETAIL A-1 (Z-CLIP HARDWARE DETAIL)

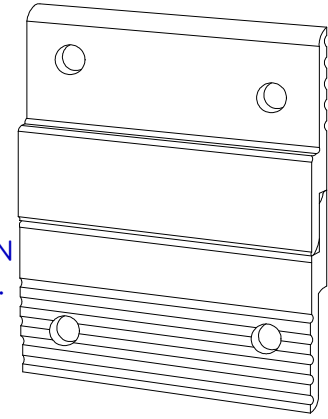
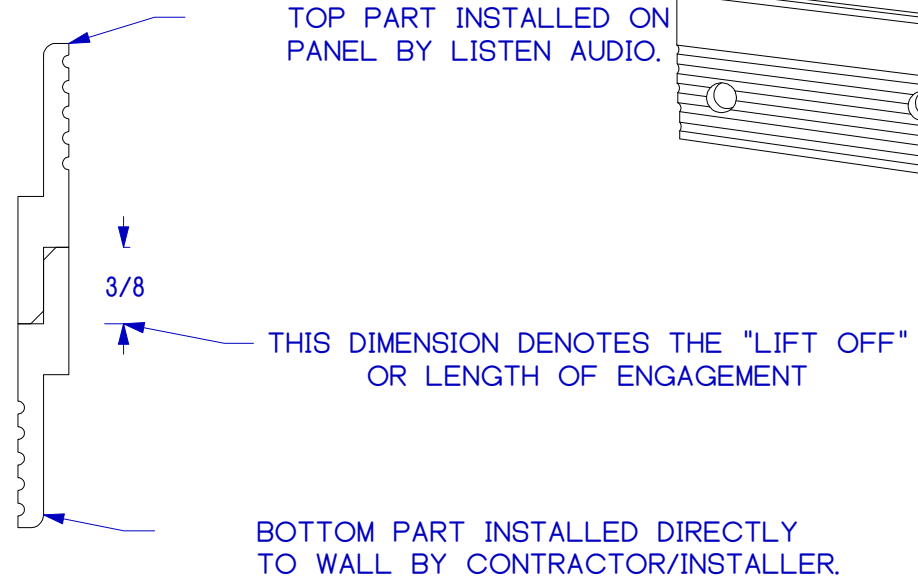
(PERSPECTIVE VIEW)

(FRONT/ELEVATION VIEW)

ASSEMBLY COMPRISED OF TWO IDENTICAL PARTS



(SIDE VIEW)



DIMENSIONS ARE IN INCHES UNLESS OTHERWISE SPECIFIED TOLERANCES: XX = ± .010, XXX = ± .005 FRACTIONAL = ± 1/64 ANGULAR = 1°	DRAWN	NAME	DATE	LISTEN 2190 S. JASON ST. DENVER, CO 80223 TEL: 720-252-6865
	CHECKED			
	ENG. APPR.			
	MFG. APPR.			
MATERIAL:	COMMENTS:			PART NO.
FINISH:				4' X 8' DIFFUSE
DO NOT SCALE DRAWING				TITLE: DIFFUSE INSTALL TEMPLATE
				REV: A
				SCALE: WEIGHT: SHEET 2 OF 2

THIS DOCUMENT, AND THE PROPERTY CONTAINED HEREIN, IS THE PROPERTY OF LISTEN AUDIO. ANY REPRODUCTION, DISCLOSURE OR USE THEREOF, IS PROHIBITED, EXCEPT AS AUTHORIZED, IN WRITING, BY LISTEN AUDIO SYSTEMS, INC. THE RECIPIENT ACCEPTS THE RESPONSIBILITY FOR MAINTAINING THE CONFIDENTIALITY OF THE CONTENTS OF THIS DOCUMENT.